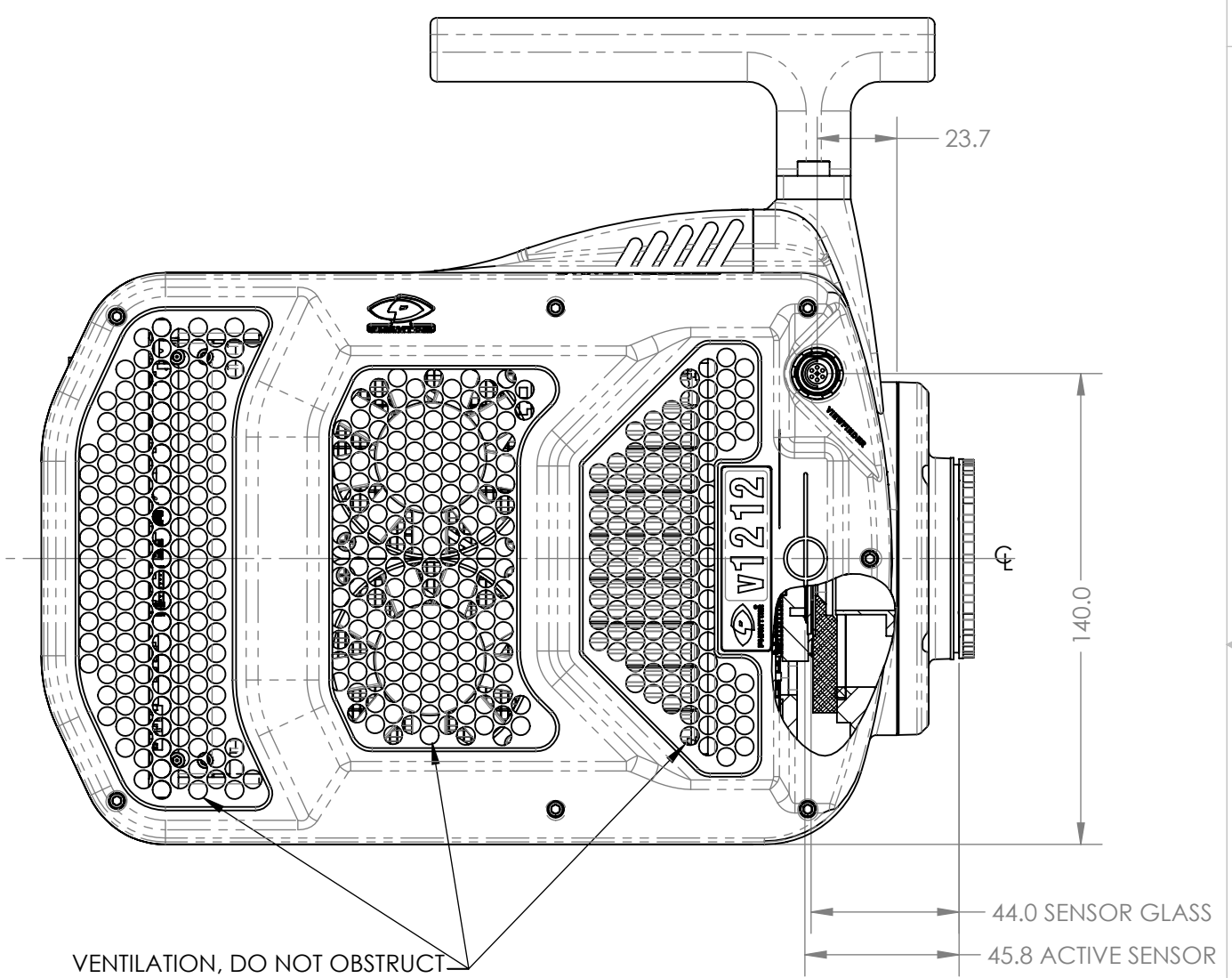
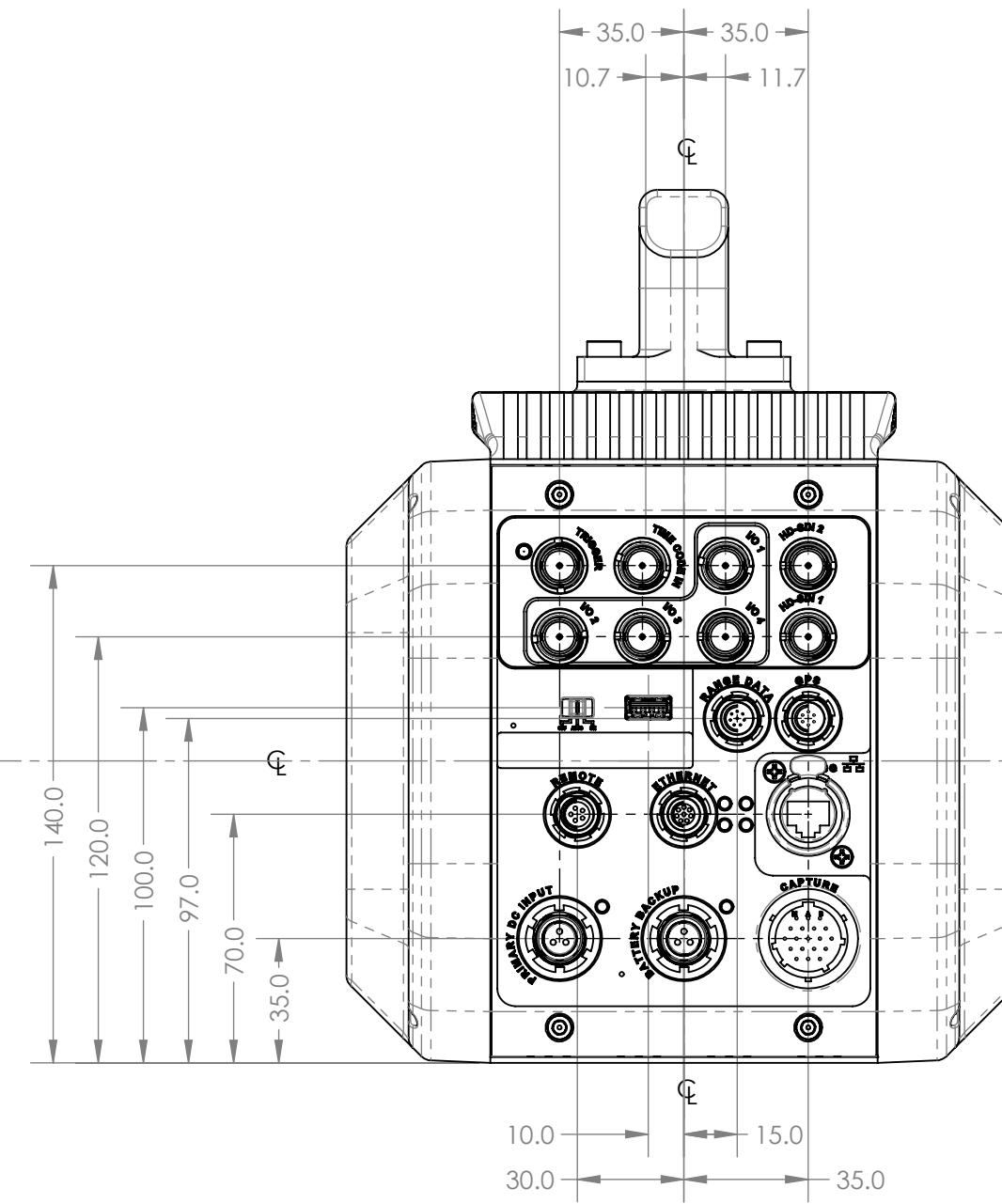
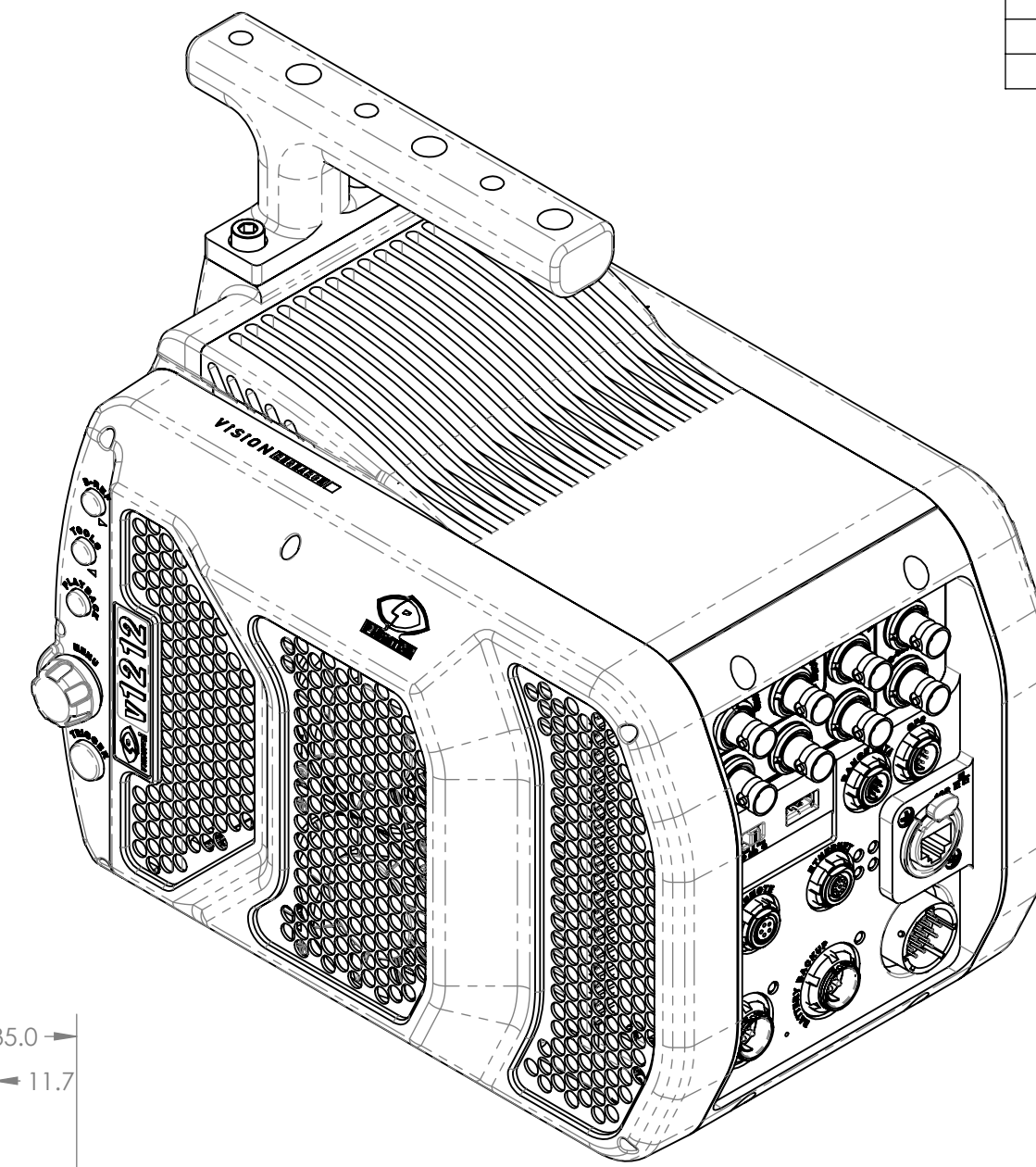
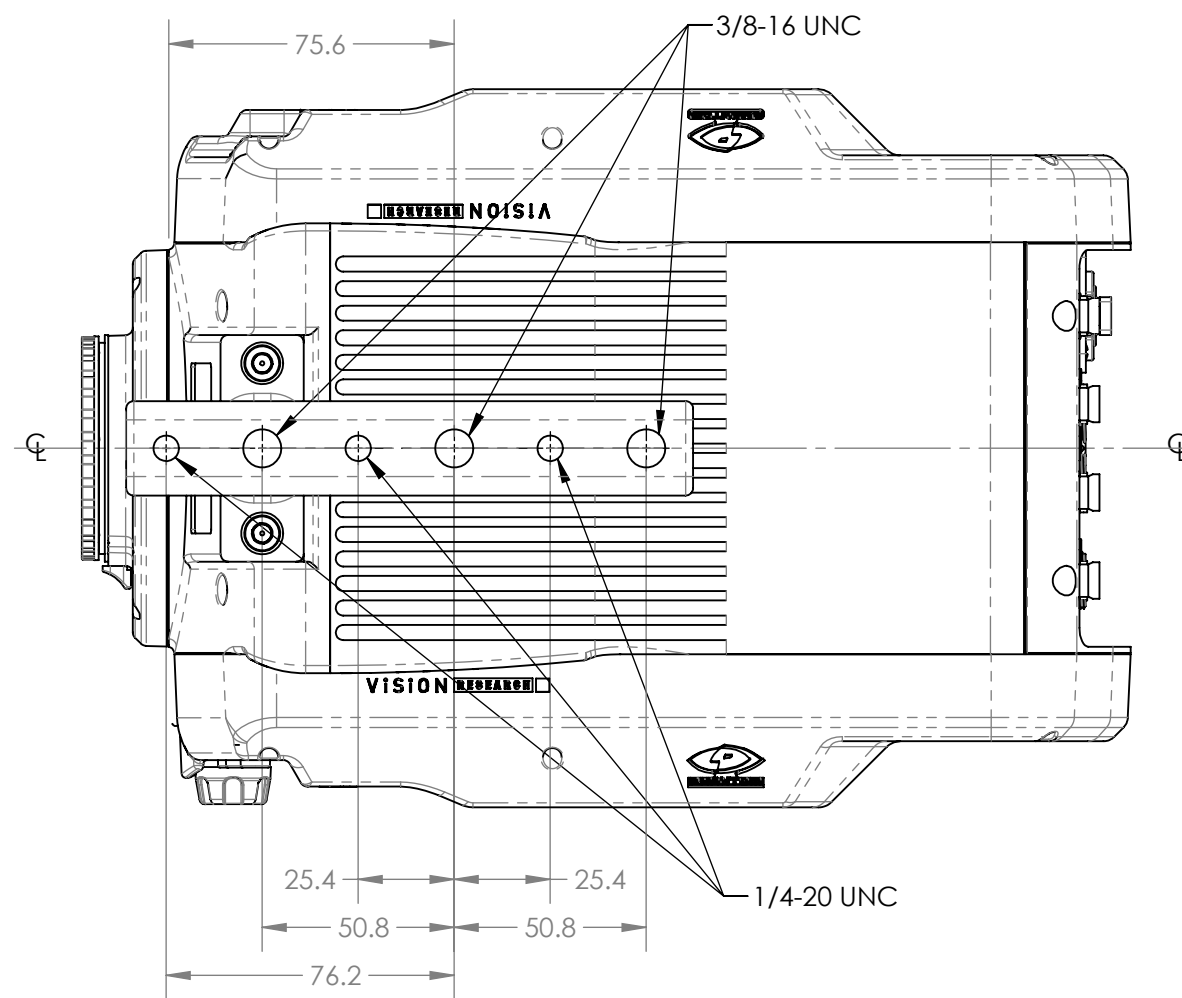
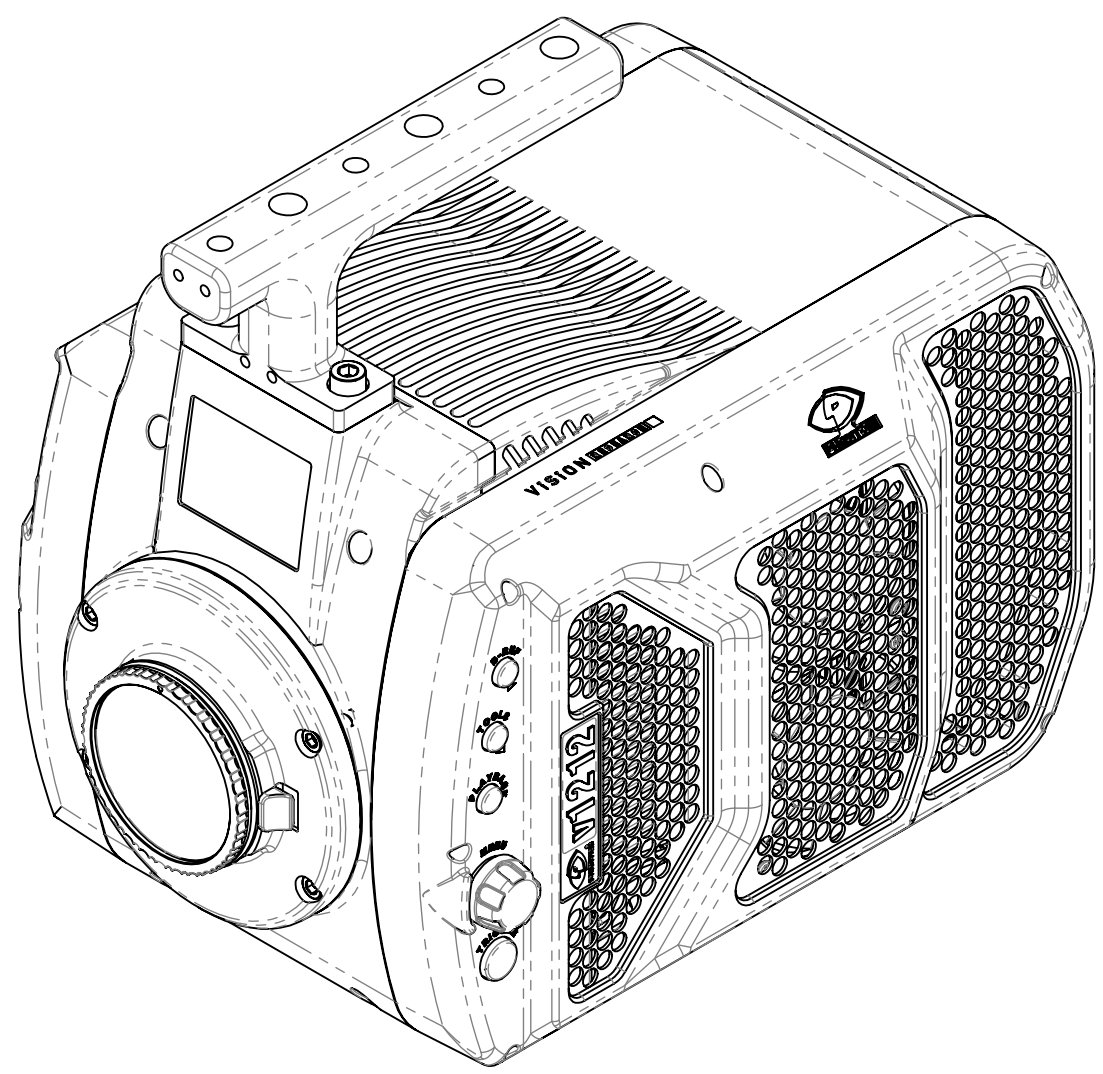
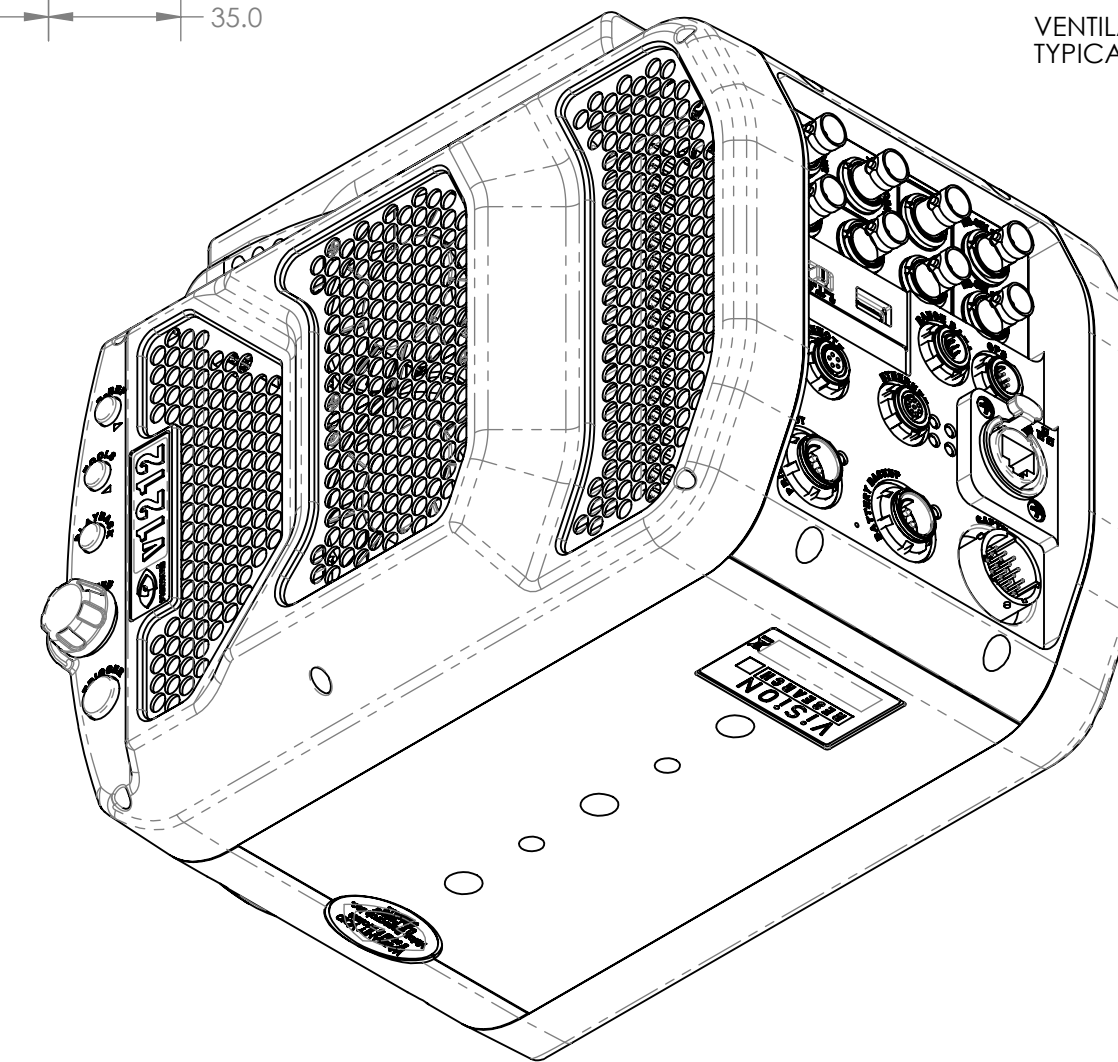
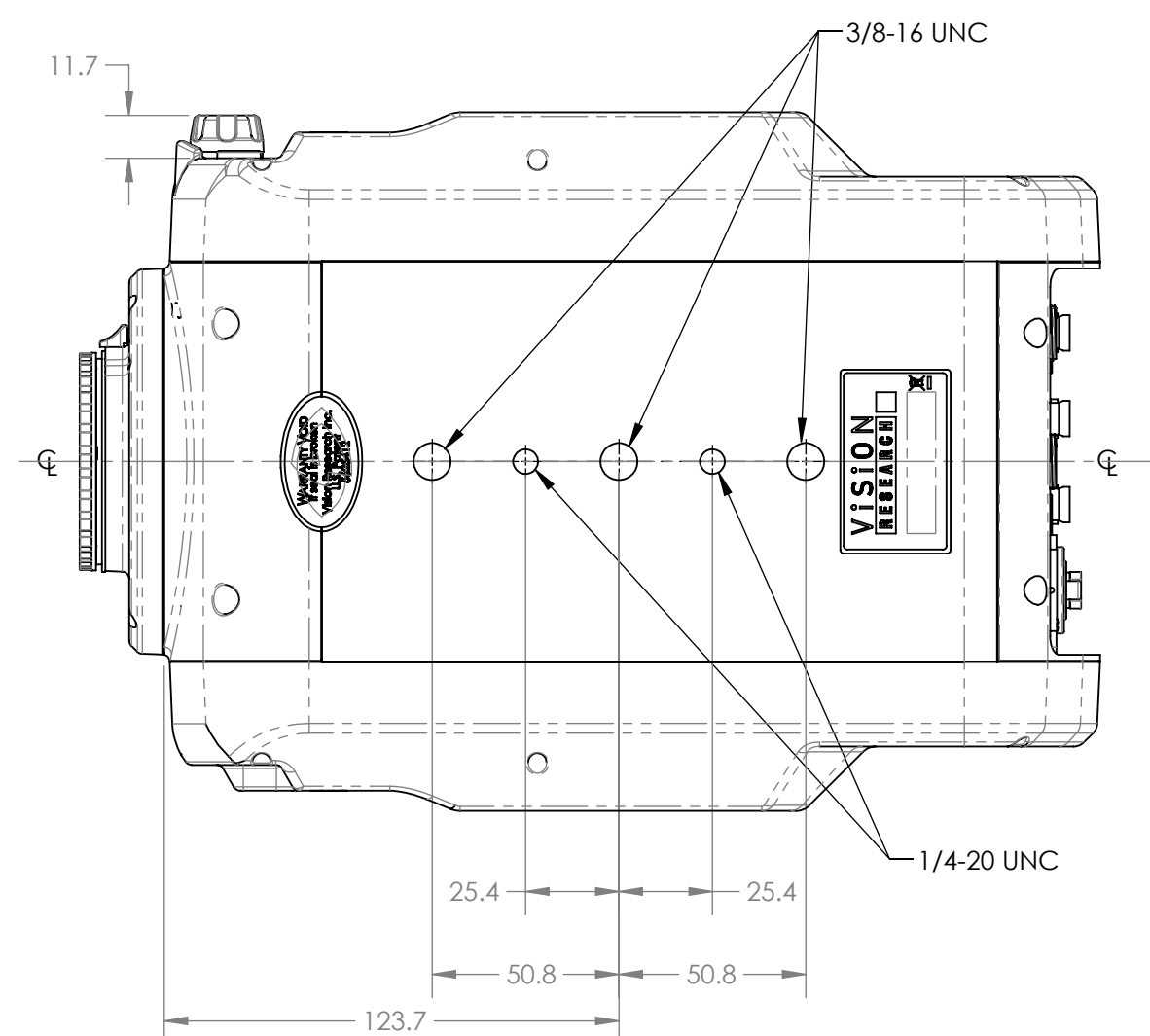
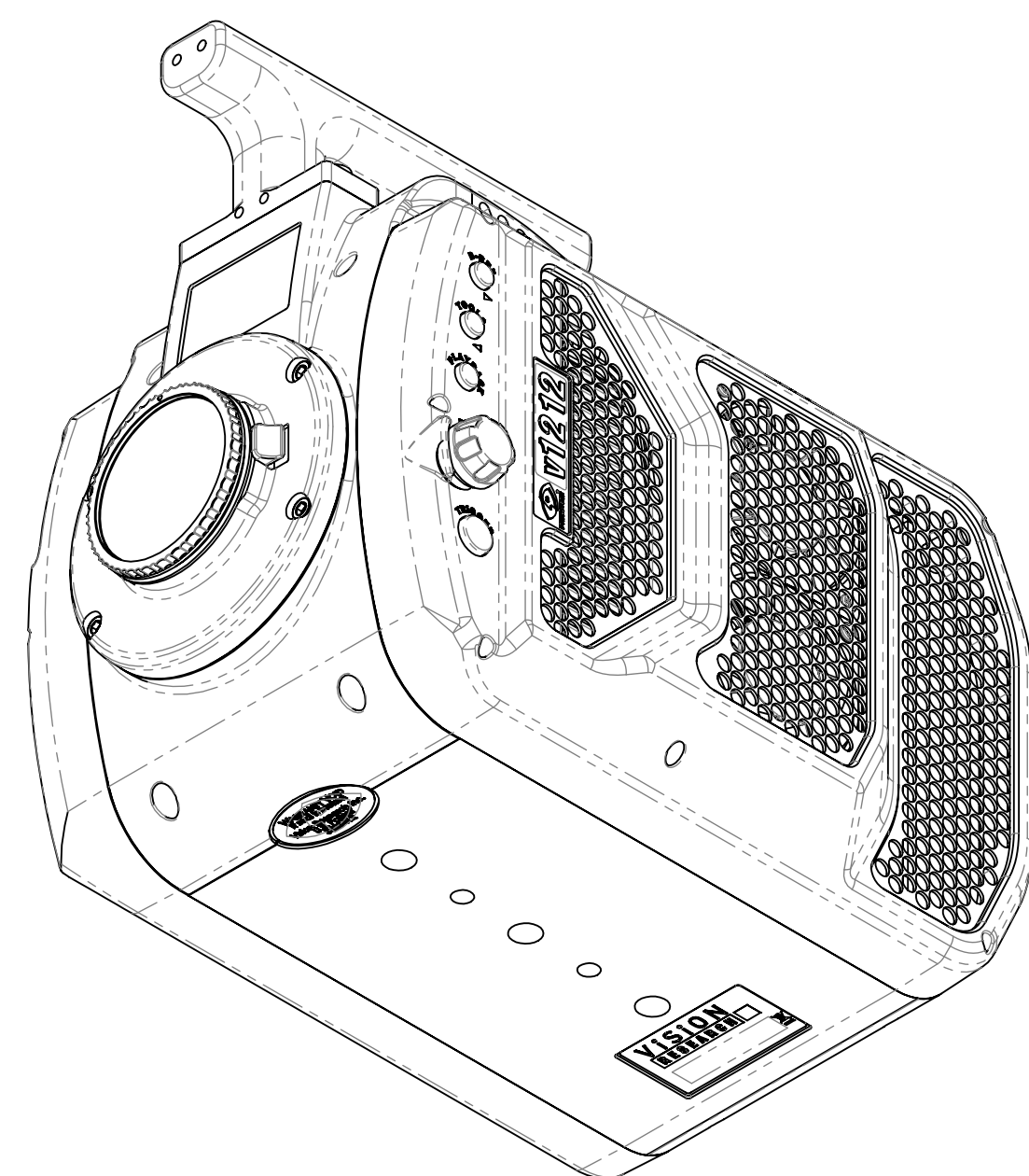
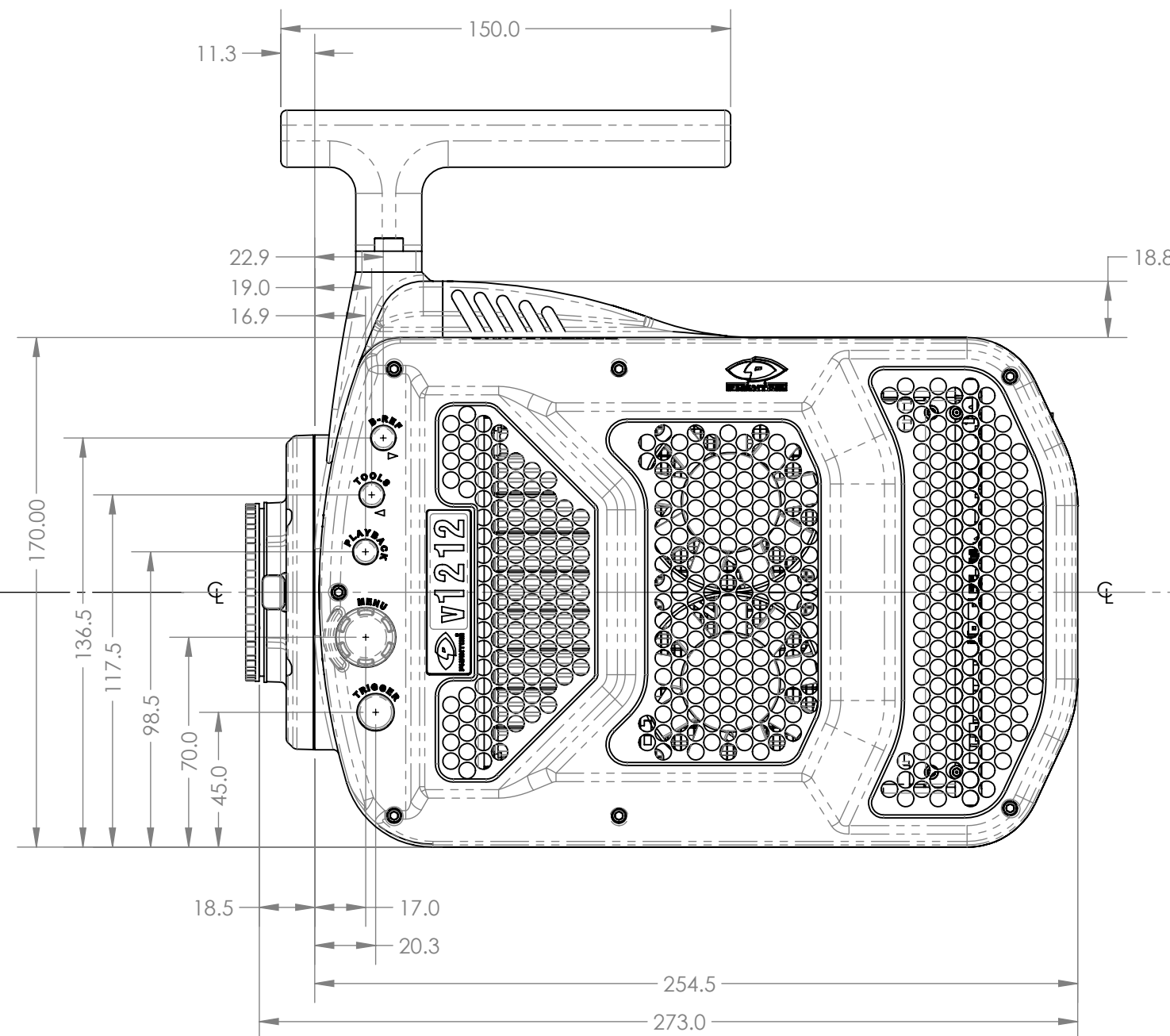
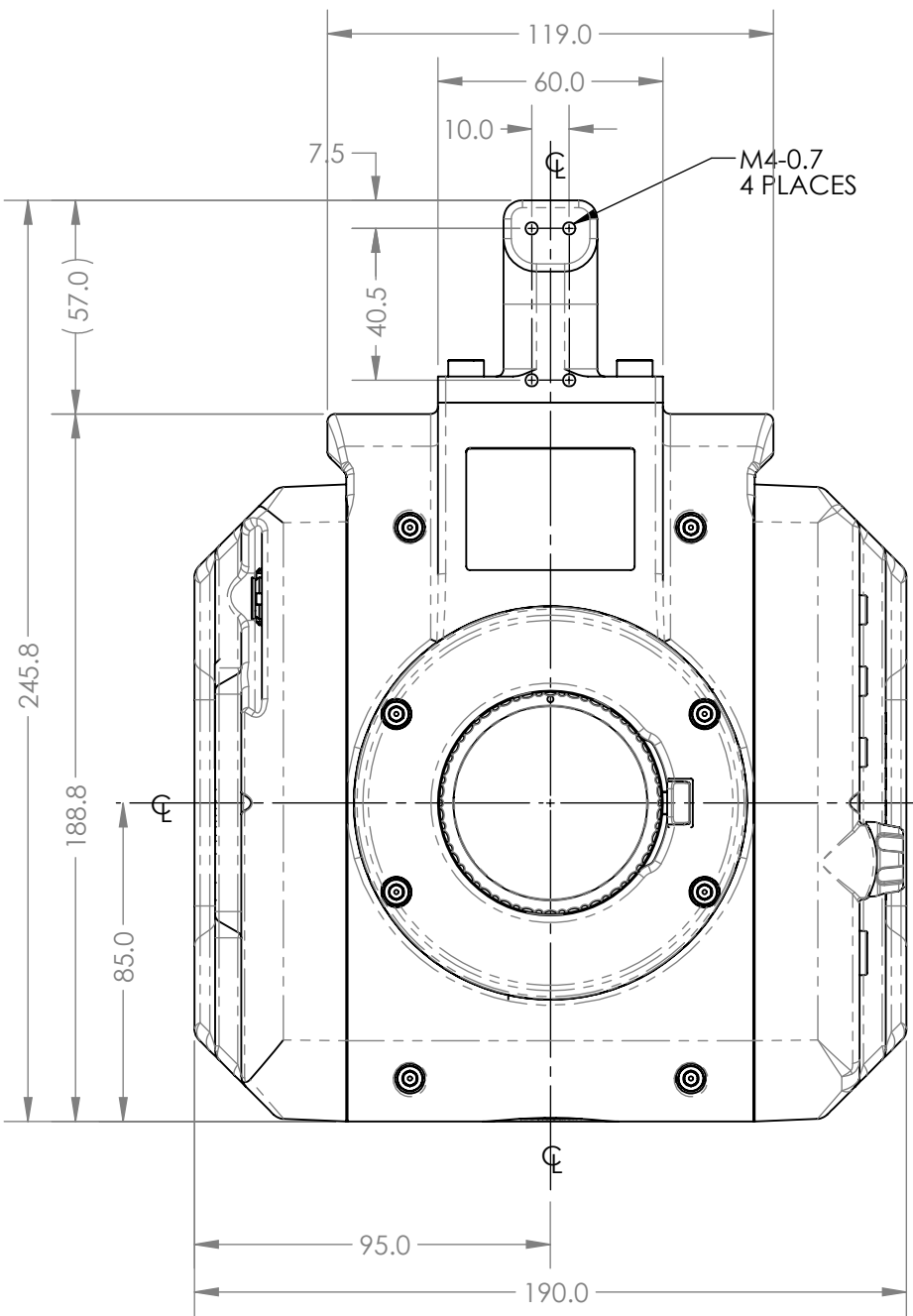


| REVISIONS HISTORY | | | |
|-------------------|-----------------|--------------|----------|
| REV. | DESCRIPTION | DRN BY | APP'D BY |
| 0 | INITIAL RELEASE | B.E. 7/20/15 | |



VENTILATION, DO NOT OBSTRUCT TYPICAL FAR SIDE.



PROPRIETARY AND CONFIDENTIAL
 THE INFORMATION CONTAINED IN THIS DRAWING IS THE SOLE PROPERTY OF VISION RESEARCH. ANY REPRODUCTION IN PART OR AS A WHOLE WITHOUT THE WRITTEN PERMISSION OF VISION RESEARCH IS PROHIBITED.

| | | UNLESS OTHERWISE SPECIFIED: DIMENSIONS ARE IN MM |
|-------------|---------|--|
| | V2512 | TOLERANCES: FRACTIONAL: $\pm 1/64$ ANGULAR: MACH ± 0.5 ONE PLACE ± 0.25 TWO PLACE ± 0.13 |
| | V2012 | |
| | V1612 | INTERPRET GEOMETRIC TOLERANCING PER: MATERIAL |
| | V1212 | |
| NEXT ASSY | USED ON | FINISH |
| APPLICATION | | DO NOT SCALE DRAWING |

| NAME | DATE |
|------------|---------|
| DRAWN B.E. | 7/20/15 |
| CHECKED | |
| ENG APPR. | |
| MFG APPR. | |
| Q.A. | |

VISION RESEARCH
 100 Dey Road
 Wayne, New Jersey 07470 USA
 973-696-4500

TITLE:
CUSTOMER DRAWING, Vxx12

| | | |
|----------|---------------------------|----------|
| SIZE | DWG. NO. | REV |
| D | ZDOC-64102-CD-0002 | 0 |

SCALE 1:1 WEIGHT: SHEET 1 OF 1

